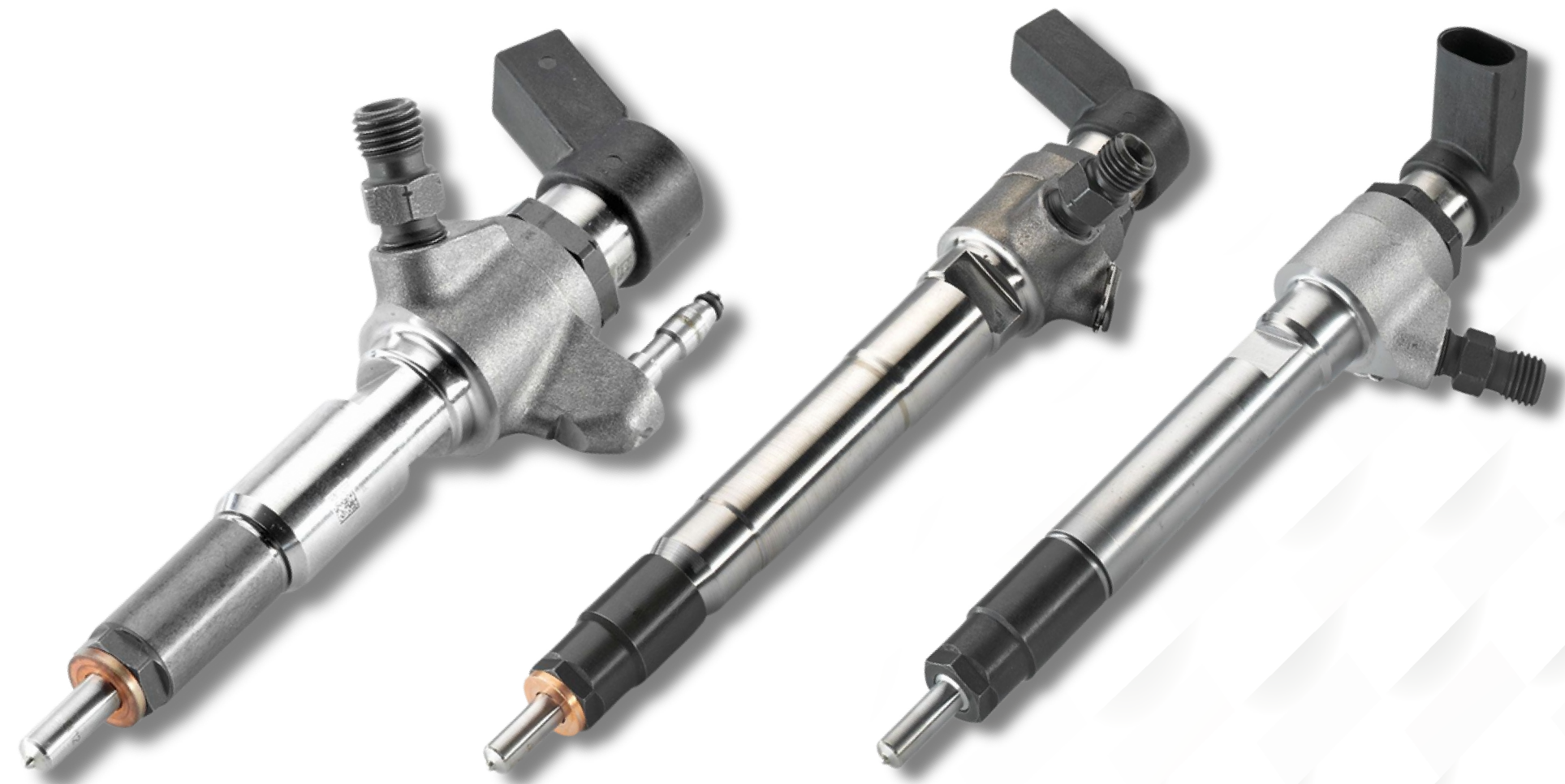




**ELKOSO**<sup>®</sup>  
AUTOMOTIVE MANUFACTURING SOLUTIONS

## **VDO SP CATALOGUE**

Our new VDO SP Catalogue offers the ultimate selection of diesel solutions tailored to meet today's toughest demands.



V01.04.001

# ELKOSO BRAND

Automotive Manufacturing Solutions

*Your trusted global partner.*

ELKOSO® as a renowned EU manufacturer, specializing in diesel and hybrid engine components crucial for the remanufacturing process.

With a distinguished reputation, ELKOSO® has established a network of distributed remanufacturing sources, facilitated by official local dealers, strategically positioned to serve clients effectively.

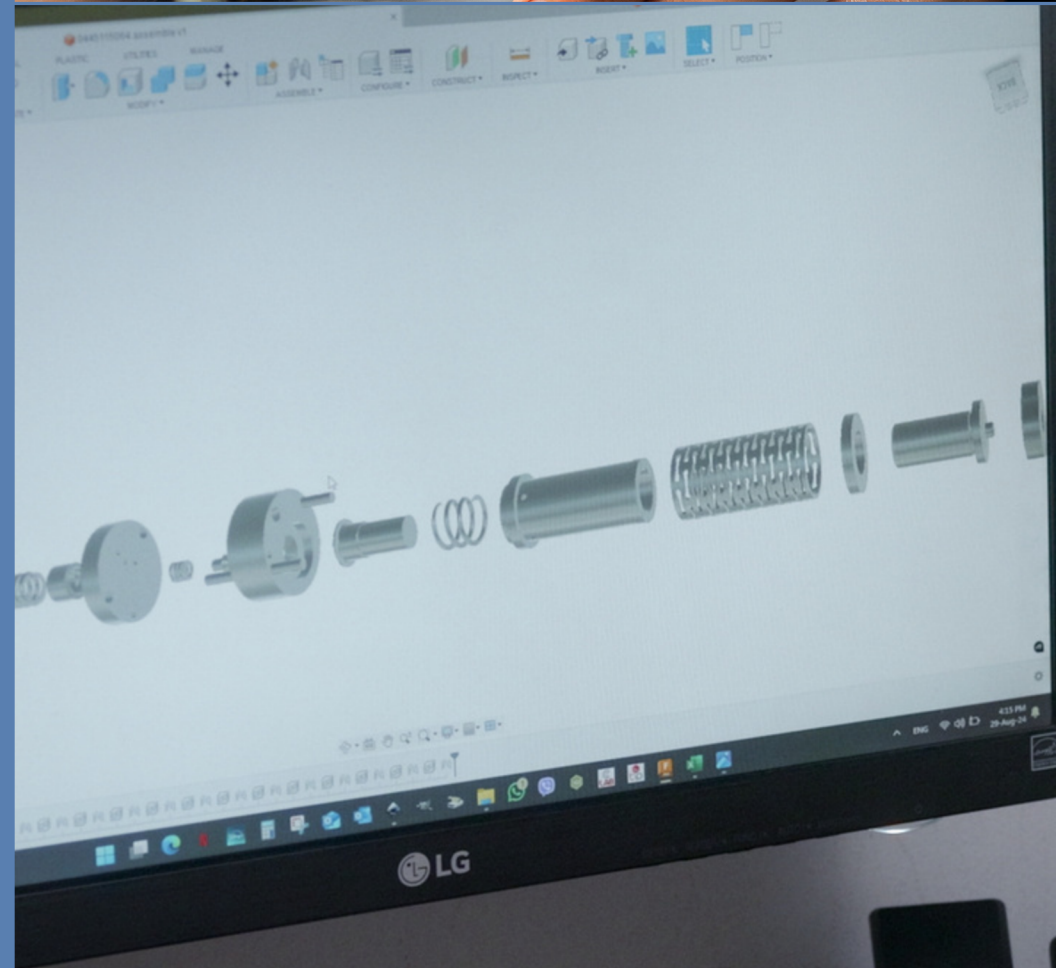
Recognized as a trusted leader in the European remanufacturing industry, ELKOSO® sets the standard for excellence and reliability.

## Remarkable 4-Year Journey of Innovation

After 4 years of rigorous research, development, and engineering, Elkoso proudly unveils the groundbreaking VDO Actuator. This project represents our commitment to delivering 100% original, high-quality solutions that redefine the standards of diesel technology. It's more than a product; it's a testament to our passion, expertise, and unwavering pursuit of excellence.

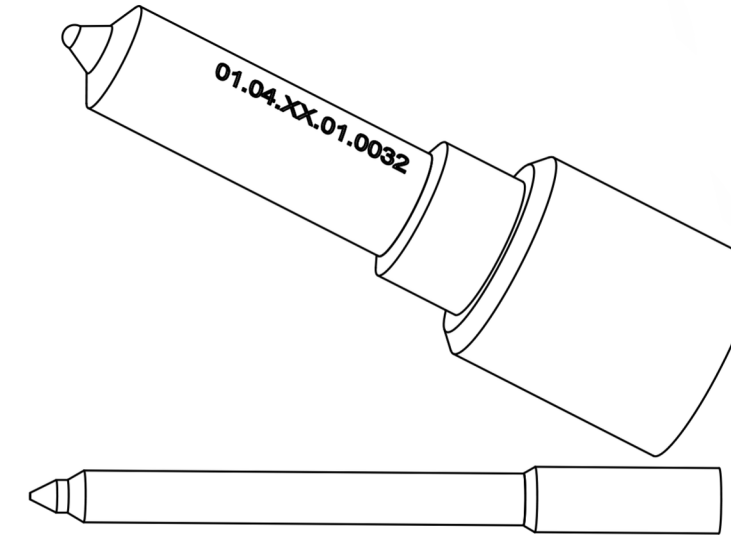


Company provides outstanding service through teamwork, accountability and innovation, aspects that we are proud they are reflecting.



# Nozzle

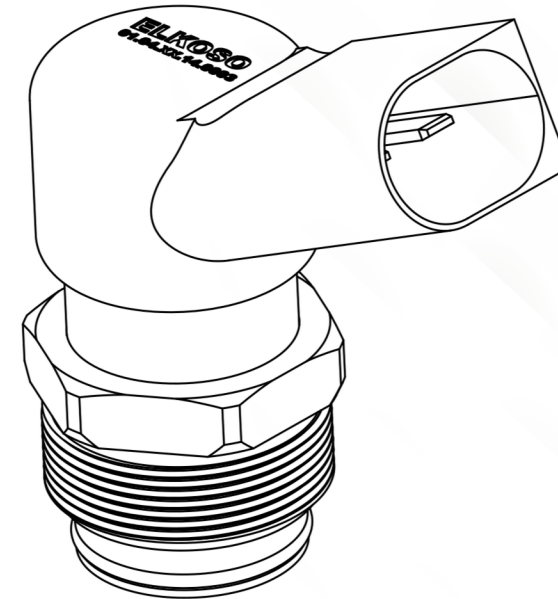
ELKOSO NOZZLE P/N	MARKING	SUITABLE FOR	NOTE
01.04.XX.01.0001	144PV0605	5WS40007 . 5WS40148	
01.04.XX.01.0002	142PM0604	5WS40063 . 5WS40149 . 5WS40516 . A2C59511612	
01.04.XX.01.0003	154PM0012	5WS40677 . A2C59513556	
01.04.XX.01.0004	153PM0601	5WS40156-6 . A2C59511601	
01.04.XX.01.0005	153PM0003	5WS40044 . 5WS40156 . 5WS40156-4 . 5WS40156-4Z .5WS40156-Z	
01.04.XX.01.0006		5WS40322 . 5WS40322-# .5WS40441 . A2C33359000 . A2C59511603 . A2C59513552 .	Under development
01.04.XX.01.0007	153PM0005	5WS40200 . A2C59511602	
01.04.XX.01.0008	152PM1001	5WS40086 . A2C59511610	
01.04.XX.01.0009	152PM1003	5WS40250 . 5WS40250-AB . A2C59511611	
01.04.XX.01.0010	150PM0034	A2C8139490080 .	
01.04.XX.01.0011	147.6PM0007 147PM0502	5WS40087 . A2C59511606	
01.04.XX.01.0012	155PM0008	5WS40536 . A2C59513484	
01.04.XX.01.0013	155PM0027	5WS40536 . A2C59513484	
01.04.XX.01.0014	153PM1002	A2C59511316	
01.04.XX.01.0015		5WS40252 . A2C59513553	Under development
01.04.XX.01.0016	156PM0002	5WS40062 . 5WS40249 . A2C59511364	
01.04.XX.01.0017	153PM0004	5WS40253 . 5WS40387 . A2C59513596 . A2C59513597	
01.04.XX.01.0018	150PM1600	5WS40080 . A2C20009347 . A2C59515264	



ELKOSO NOZZLE P/N	MARKING	SUITABLE FOR	NOTE
01.04.XX.01.0019	145PM0031	5WS40932 . A2C3999700080	
01.04.XX.01.0020	140PM0019	5WS40745 . A2C53307917 . A2C59517051	
01.04.XX.01.0021		5WS40925	Under development
01.04.XX.01.0022	162PM0011	5WS40539 . A2C59513554 . A2C9626040080	
01.04.XX.01.0023		A2C3922640002	Under development
01.04.XX.01.0024	150PM0032	A2C335190080	
01.04.XX.01.0025	142PV0600	5WS40000 . 5ws40000-Z	
01.04.XX.01.0026		5WS40420	Under development
01.04.XX.01.0027	M0049	A2C9303500080	Under development
01.04.XX.01.0029		JB3Q9K546AA3	Under development
01.04.XX.01.0030	M0061	338002U000	Under development

# Solenoid

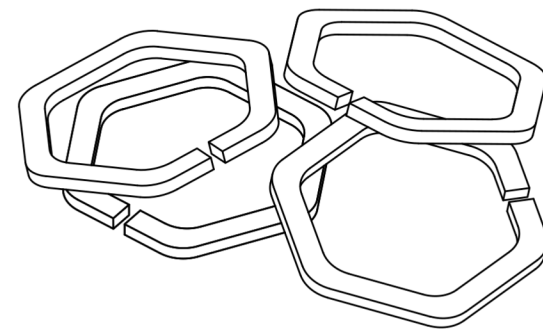
ELKOSO SOLENOID PART NUMBER	EURO	SUITABLE FOR
01.04.XX.14.0001	3/4	5WS40000 . 5ws40000-z
01.04.XX.14.0001*	3/4	5WS40253 . 5WS40387 A2C59513596 . A2C59513597
01.04.XX.14.0002	3/4	5WS40007 . 5WS40063 . 5WS40044 . 5WS40200 . 5WS40086 . 5WS40250 . 5WS40087 . 5WS40103 . 5WS40252 . 5WS40062 . 5WS40148 . 5WS40149 . 5WS40156 . A2C59511602 . A2C59511610 . 5WS40250-AB . A2C59511606 . A2C59511316 . A2C59513553 . 5WS40249 . 5WS40516 . 5WS40156-4 . A2C59511611 . A2C59511364 . A2C59511612 . 5WS40156-4Z . 5WS40156-Z
01.04.XX.14.0002*	3/4	5WS40156-6 . A2C59511601 . 5WS40322 . 5WS40322-# . 5WS40441 . A2C33359000 . A2C59511603 . A2C59513552 . 5WS40080 . A2C20009347 . A2C59515264
01.04.XX.14.0006	5	5WS40536 . A2C59513484 . A2C59507596 . 5WS40745 . A2C53307917 . A2C59517051 . 5WS40539 . A2C59513554 . A2C9626040080
01.04.XX.14.0006*	5	A2C8139490080 . 1819881 . CK4Q9K546AA . 5WS40932 . A2C3999700080 . 5WS40925
01.04.XX.14.0007	5	A2C335190080
01.04.XX.14.0008*	5	5WS40677 . A2C59513556



# Valve | Shim | Washer

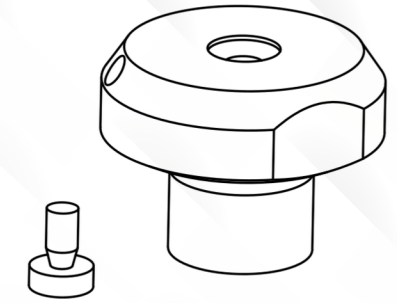
## CALIBRATION SHIM P/N THICKNESS

01.04.XX.21.0001	0.93
01.04.XX.21.0002	0.94
01.04.XX.21.0003	0.95
01.04.XX.21.0004	0.96
01.04.XX.21.0005	0.97
01.04.XX.21.0006	0.98
01.04.XX.21.0007	0.99
01.04.XX.21.0008	1.00
01.04.XX.21.0009	1.01



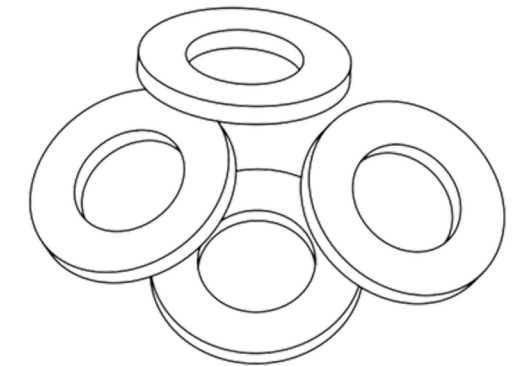
## CONTROL VALVE

01.04.XX.03.0001



## FITTING WASHER

01.04.XX.21.0101



# CONTACTS

## HEADQUARTERS

Bucharest, District 5, 7  
Intrarea Bolboci Str.,  
Office 52.  
Romania

+40 312298408

[info@elkoso.tech](mailto:info@elkoso.tech)

## ADMINISTRATION

Monastiriou 172  
Menemeni, 54628  
Thessaloniki  
Greece

+30 2310 540231

[office@elkoso.tech](mailto:office@elkoso.tech)



[www.elkoso.tech](http://www.elkoso.tech)