



PERCOTRONICS®
Electrónica & Tecnología Automotriz



ELKOSO®
AUTOMOTIVE MANUFACTURING SOLUTIONS



HPI-TP Tester

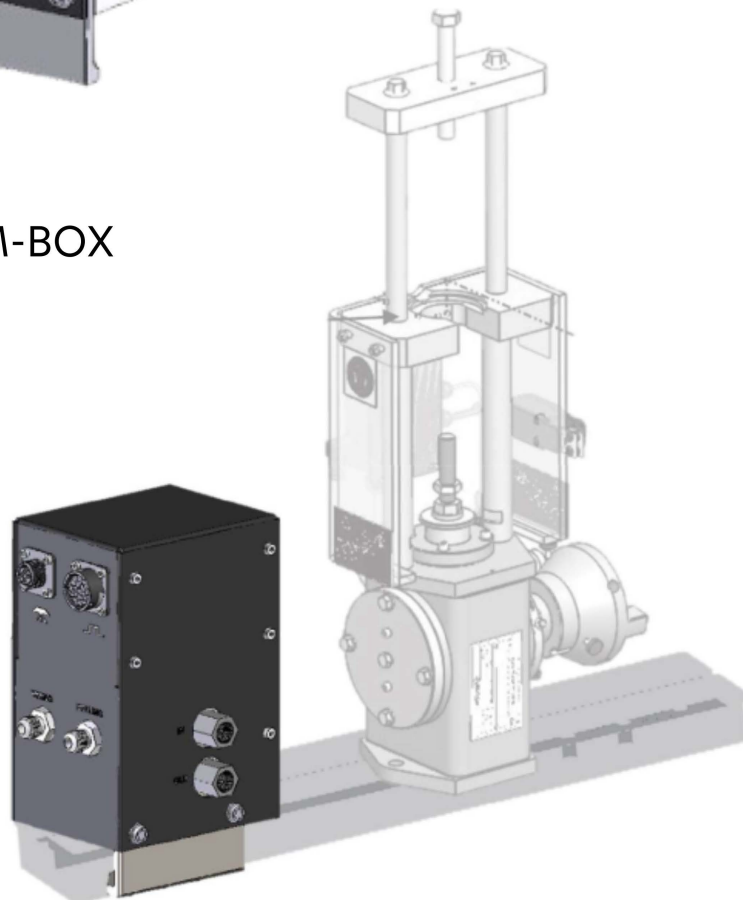


HPI-TP Tester

Testing Equipment for HPI
Injectors and TP Actuators
CUMMINS/SCANIA



Compatible with CAM-BOX
HARTRIDGE
HK1400/HK1500

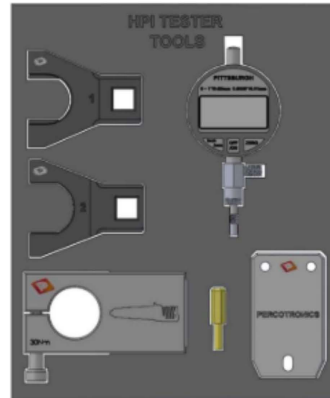




Equipment for HPI Injectors

With our equipment, combined with the cam-box, the following tests can be performed:

- Nozzle leakage test
- Element pressure test
- Return valve test
- Injection advance and delay test
- Delivery flow measurement



Tool kit for injector and actuator



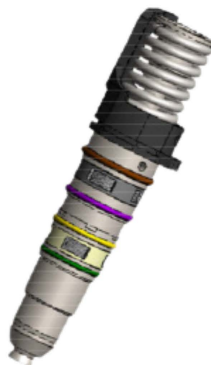
Adapters for injector mounting on cam-box

Main Features:

- Internal set of control valves for flow and timing adjustment
- User-friendly software with semi-automatic testing
- Test report generation
- Adapters for injector mounting on the cam-box
- Tool kit for injectors and actuators
- HPI-TP injector and actuator control module
- Injector regulation assembly for HPI



Injector regulation assembly for HPI



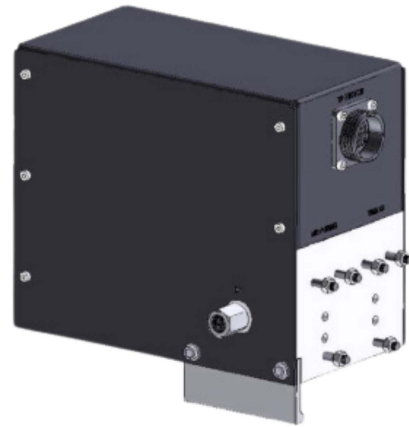
HPI-TP injector and actuator control module



Equipment for TP Actuators

This equipment is designed for testing and calibrating flow and injection timing actuators.

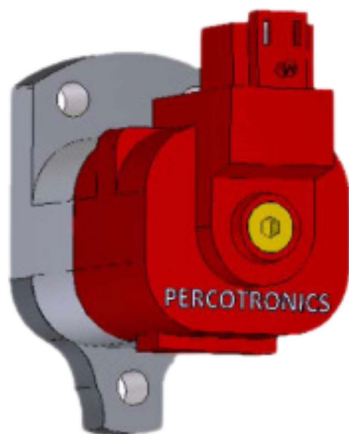
- Static leakage test
- Dynamic leakage test
- Flow test under three different conditions
- Electrical stroke test
- Insulation test



Measurement assembly for actuators

Main Features:

- Dynamic flow measurement with high-precision flow meters
- Automatic adjustment of supply pressure
- User-friendly software with automatic testing
- Database integration
- Test reports generation
- Measurement assembly for actuators
- HPI-TP injector and actuator control module



HPI-TP injector and actuator control module

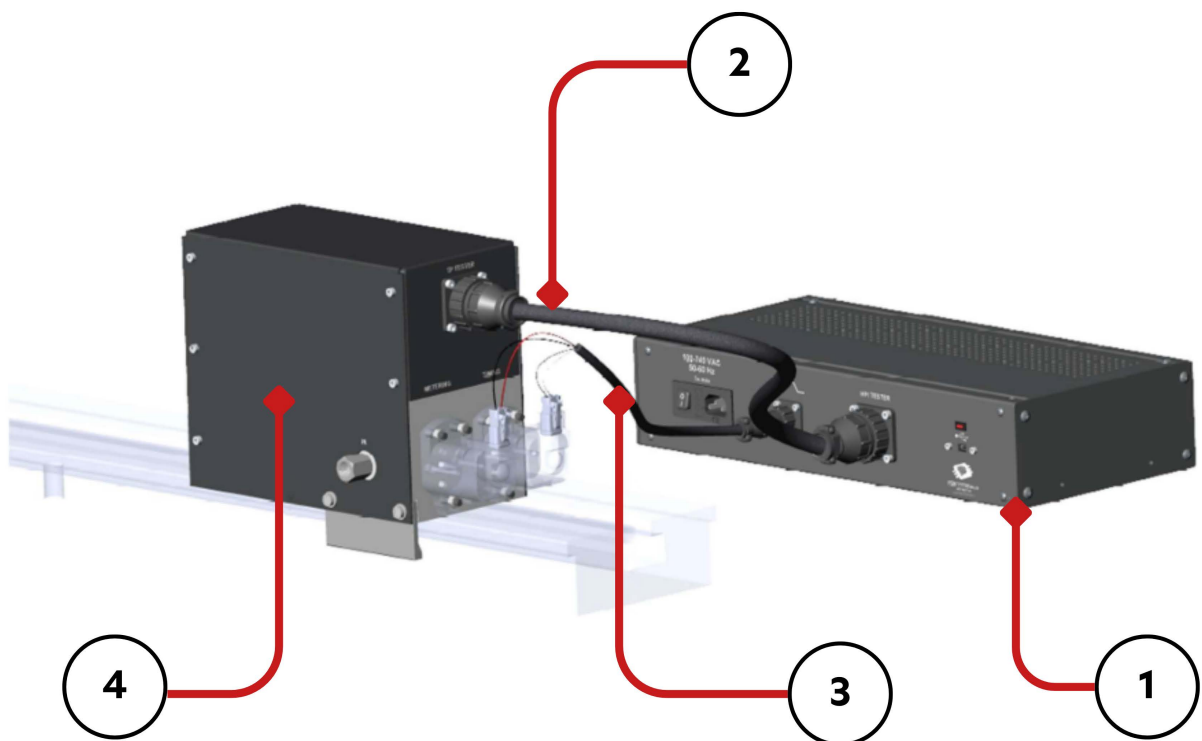


HPI-TP Tester

Testing Equipment for TP Actuators

CUMMINS/SCANIA

Item No.	DESCRIPTION
1	HPI-TP control module
2	Main wiring for HPI TESTER
3	Valve wiring
4	Measurement and regulation assembly for TP actuators



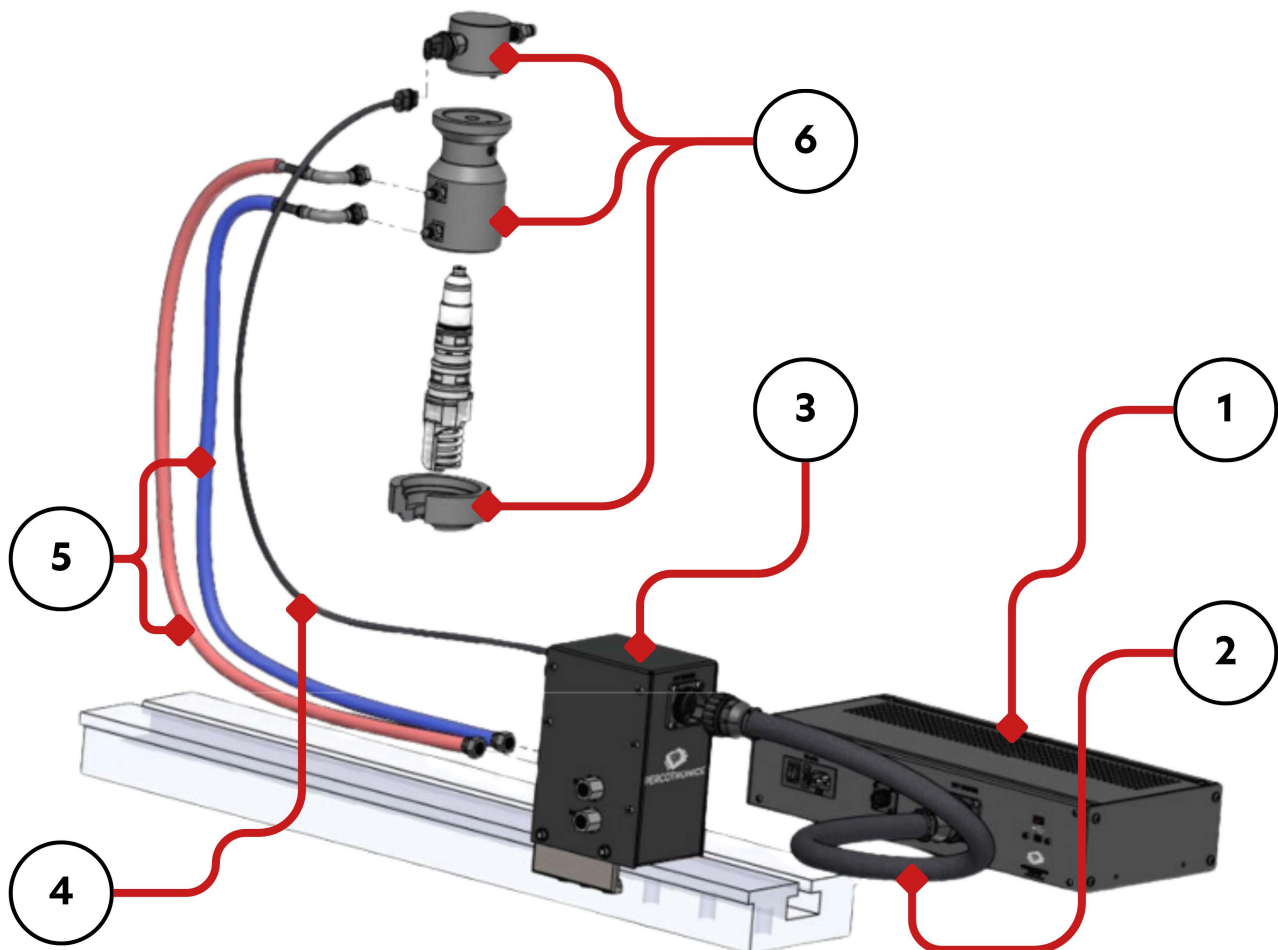


HPI-TP Tester

Testing Equipment for HPI Injectors

CUMMINS/SCANIA

Item No.	DESCRIPTION
1	HPI-TP control module
2	Main wiring for HPI TESTER
3	Injector regulation assembly
4	Pressure/Temperature Sensor wiring
5	Pipes
6	Coupling kit





ELKOSO[®]

AUTOMOTIVE MANUFACTURING SOLUTIONS



HEADQUARTERS

Bucharest, District 5, 7
Intrarea Bolboci Str.,
Office 52.
Romania

+40 312298408

info@elkoso.tech

ADMINISTRATION

Monastiriou 172
Menemeni, 54628
Thessaloniki
Greece

+30 2310 540231

office@elkoso.tech

